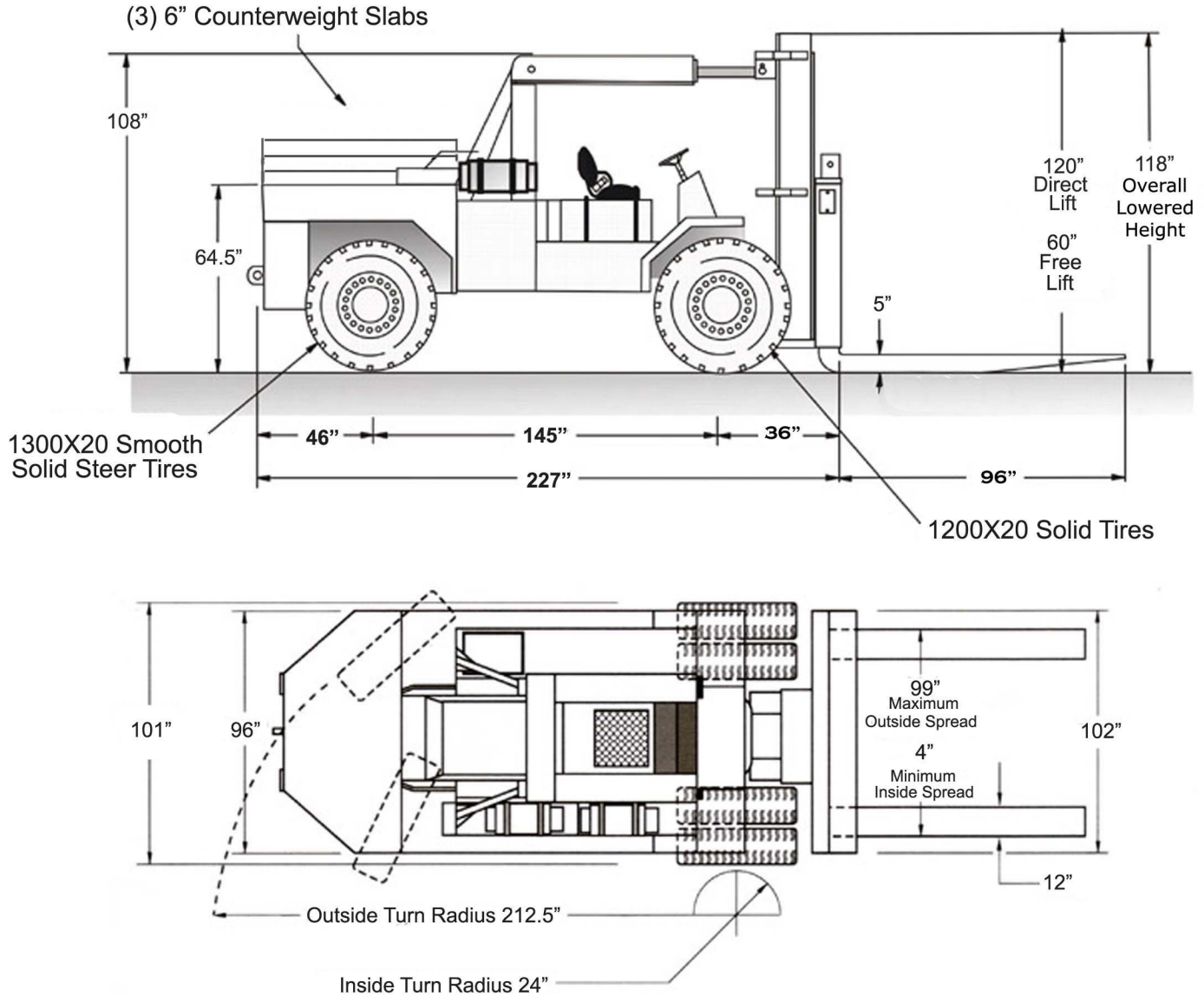


Cummins QSB4.5 Diesel Spec



TRUCK UNDERCLEARANCE

Mast	6.50 in.
Drive Axle	10.25 in.
Center of Truck	14.50 in.
Steer Axle	17.25 in.
Counterweight	21.00 in.

TRUCK WEIGHTS (EMPTY)

Base Chassis w/Forks	64,000 lbs
(3) 6" Counterweights @ 9000lbs	27,000 lbs
Total Weight (approx.)	91,000 lbs

Dimensions are subject to change without prior notice